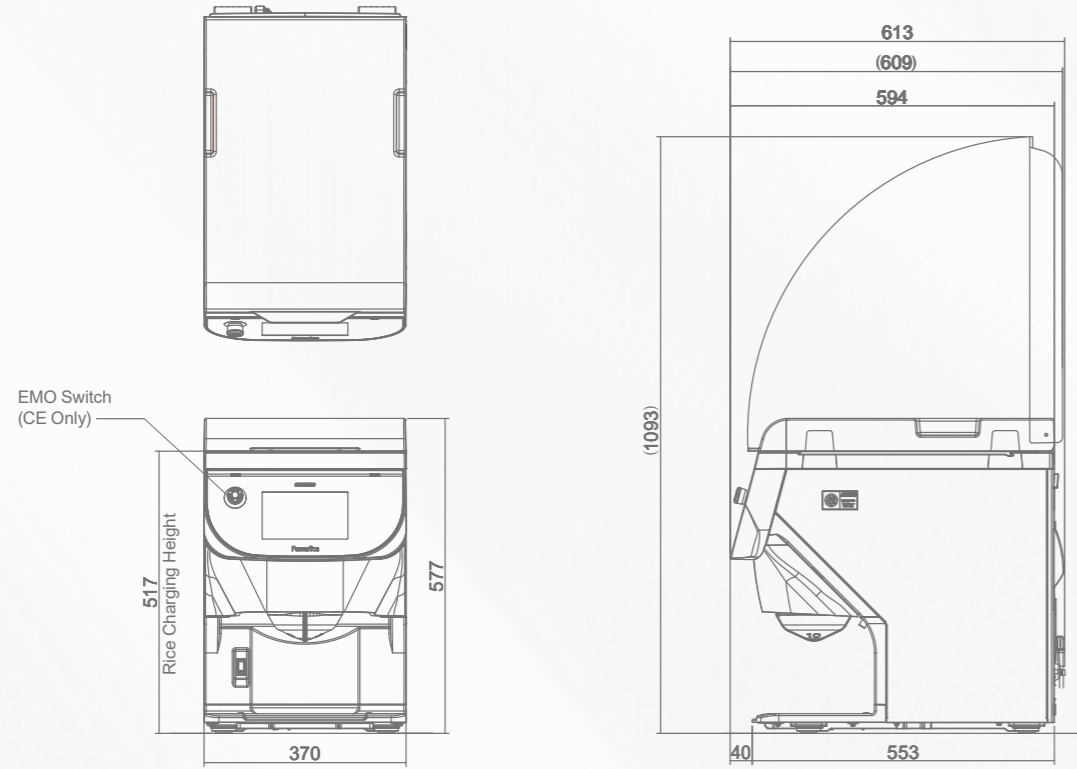


Dimensions



Specification

Model	GST-RRA-AS, GST-RRA-CE	Hopper Capacity	Approx. 10.9kg of cooked rice
Machine Dimensions	370W×613D×577H mm (Standard Dimension) 370W×613D×1093H mm (Max. Dimension)	Measuring Range	20 - 500g (500 - 1,000g serving by 2-step serving function.)
Capacity	4 seconds / dishes (200g)	Weight	GST-RRA-AS : Approx. 36kg GST-RRA-CE : Approx. 37kg
Power / Frequency	AC220-240V, 50/60Hz	Power Cable	2m length with ground wire
Power Consumption	540W	# of parts	14 pcs



Rice-Serving Machine Fuwarica

GST-RRA-AS
GST-RRA-CE **CE UK CA**

New



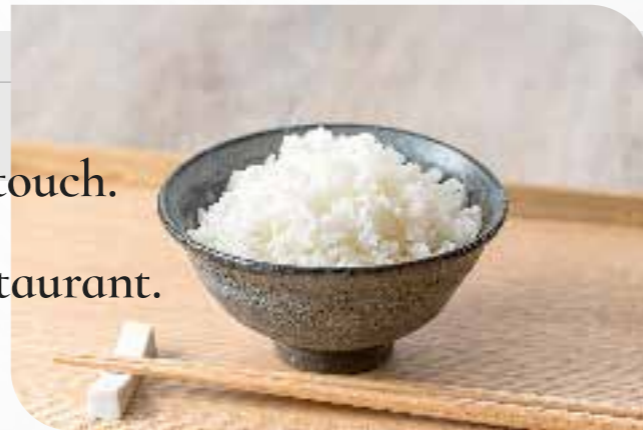
Suzumo Machinery Co., Ltd.
Global Business Division
2-23-2, Toyotamakita, Nerima-ku, Tokyo 176-0012, Japan
Tel. +81 3-3993-1407 e-mail overseas@suzumo.co.jp
URL <https://www.suzumokikou.com/>

< Contact in Singapore >
Suzumo Singapore Corporation Pte. Ltd.
Tel. +65 6254-2080 e-mail sales@suzumo-sg.com



Fuji Keizai Labour shortage and Potential Demand & Consideration on Automated Robot Results for 2022 Sales Quantity and Value for Rice-Serving Machine

Fluffy and Easy Rice Serving by one touch.
Useful at Self-service/Bufferet style restaurant.



Delicious

- ◆ Fluffy
- ◆ Keeping rice hot and moist

01

Hygienic

- ◆ No rice scoop necessary
- ◆ Open the lid only when you refill rice

02

Accurate Measuring

- ◆ Consistent portioning
- ◆ Visualize rice condition

You can check

- how much rice is left.
- how long it has been passed since the last charging.

03

Speedy

- ◆ Capacity: 4seconds/dish (200g)
- ◆ Efficient operation at kitchen
 - Able to register up to 8 menus/settings
 - Good for big order, -AUTO Production Mode
 - Good for busy time, -Assignment Production Mode

04

Features — User-friendly Design

◆ Customizable Colored Display

Freely adjustable on menu's name, rice amount info., calories info., etc.

◆ Notification to replace parts

Alarm for parts replacement by counting times of parts cleaning.



◆ Easy for trouble-shooting

Enables instant check how to solve errors, parts assembling and disassembling.

◆ Control Rice Condition

Serves Rice firstly you charge. No accumulated rice. Also, you can check time has passed since the last charging.



◆ Bowl Detect Sensor checks if there is a bowl or not

No bowl detected, no rice serving.

◆ Easy maintenance

Dish Washer is usable for parts' daily cleaning!

◆ Remaining Rice Amount Info. LED Bar

Let you know the remaining rice amount with colors on LED Bar. Easy to check even from a distant area.



◆ Enable to serve rice on a bowl, plate, take-away container etc.



Optional features

Hand-made Onigiri can be produced by optional Accessory



GST-RRR-AS



GST-RRR-CE